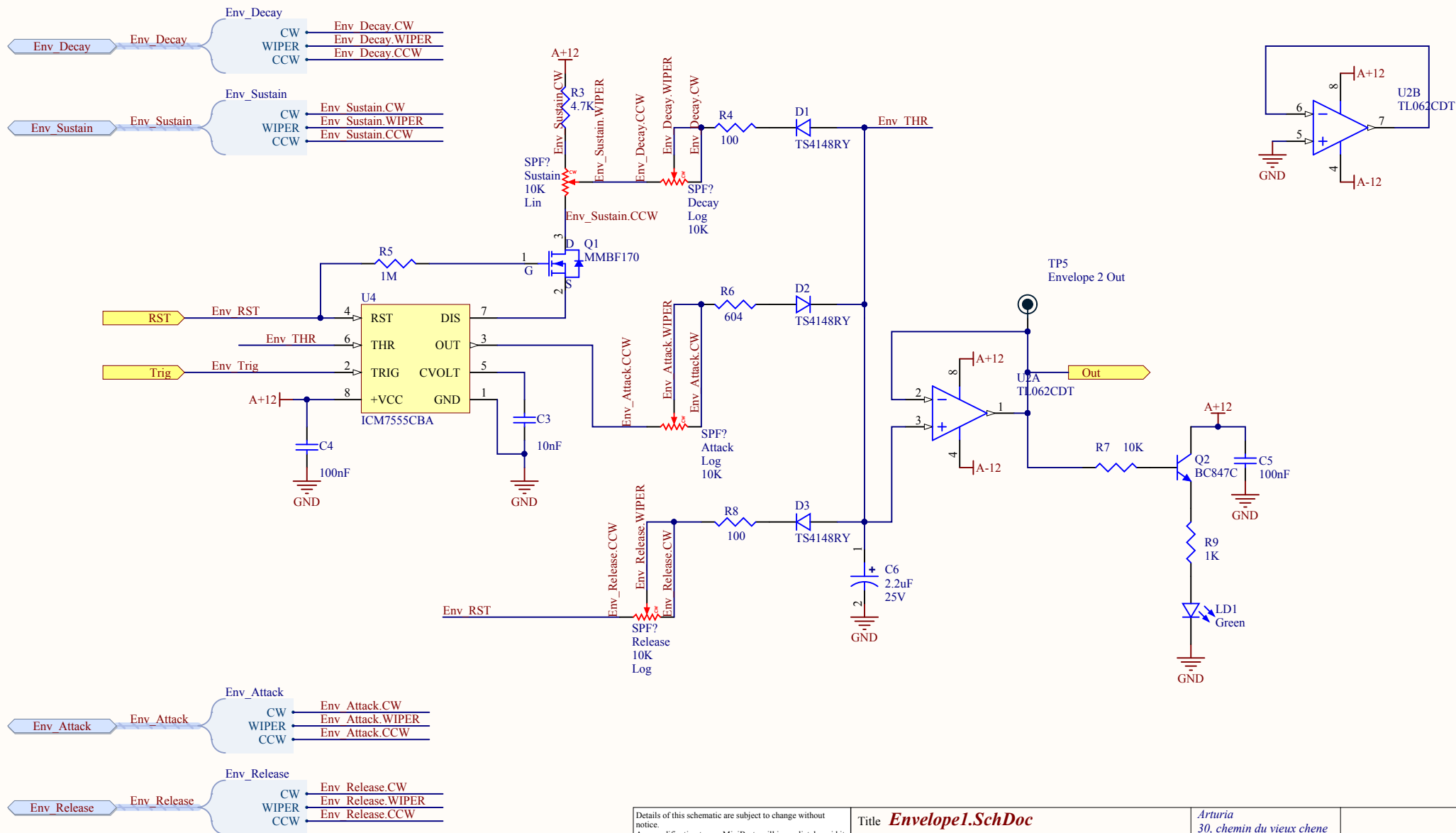


Envelope



Details of this schematic are subject to change without notice. Any modification to any MiniBrite will immediately void its warranty. Arturia or any of its affiliates will not accept responsibility for any damages, personal loss or injury that may result from any modification.

Title Envelope1.SchDoc		Arturia 30, chemin du vieux chene 38240 Meylan FRANCE		ARTURIA
Size: A4	Number:9	Revision:B		
Date: 03/09/2015	Time: 16:37:16	Sheet9 of 13		
File: G:\MicroBrute_publicRelease\Modules\Analog\Envelope1.SchDoc				