

A

B

C

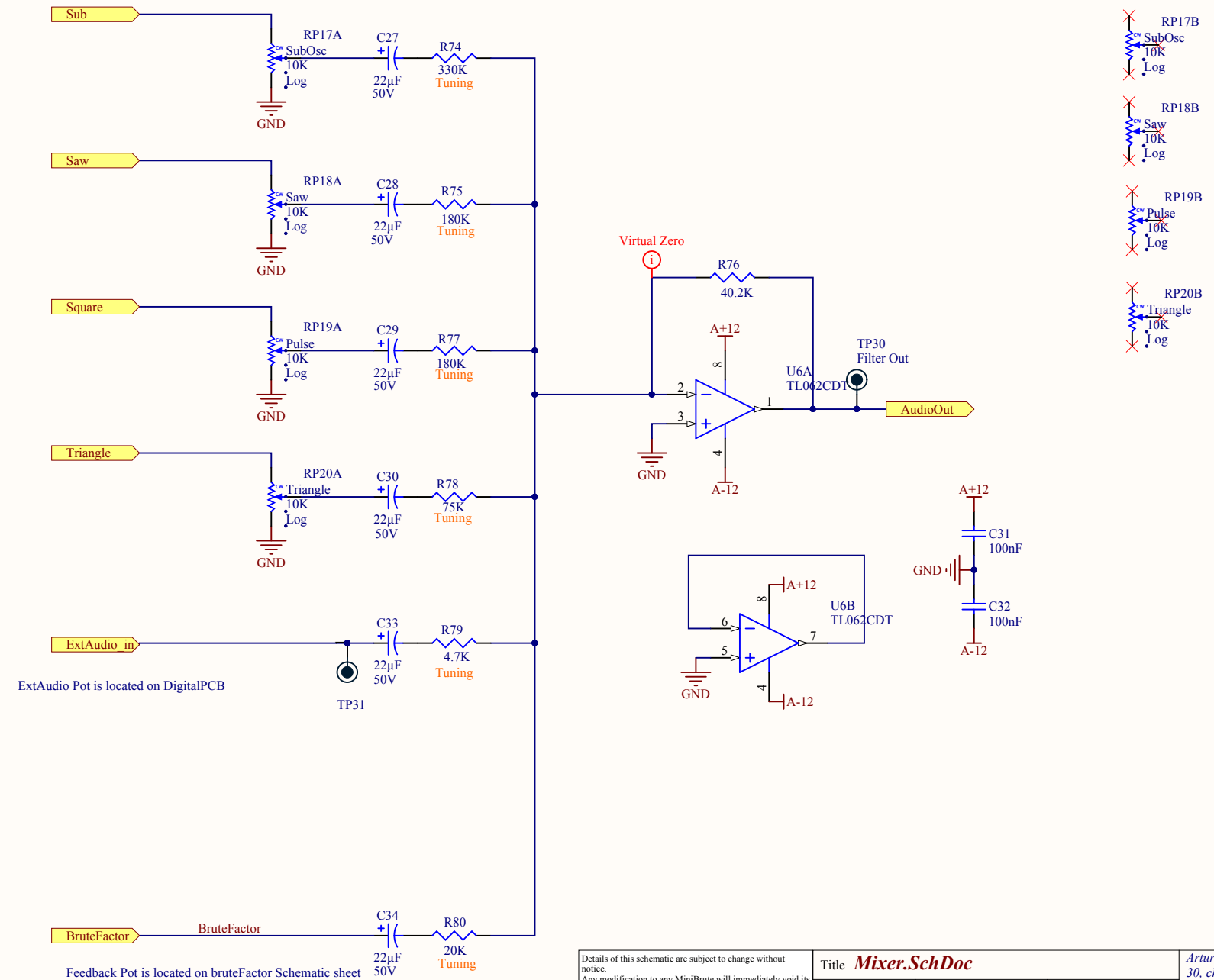
D

A

B

C

D



ExtAudio Pot is located on DigitalPCB

Feedback Pot is located on bruteFactor Schematic sheet

Details of this schematic are subject to change without notice.
 Any modification to any MiniBrute will immediately void its warranty.
 Arturia or any of its affiliates will not accept responsibility for any damages, personal loss or injury that may result from any modification

Title Mixer.SchDoc		
Size: A4	Number: 3	Revision: B
Date: 03/09/2015	Time: 16:37:15	Sheet 3 of 13
File: G:\MicroBrute_publicRelease\Mixer.SchDoc		

Arturia
 30, chemin du vieux chene
 38240 Meylan
 FRANCE

ARTURIA