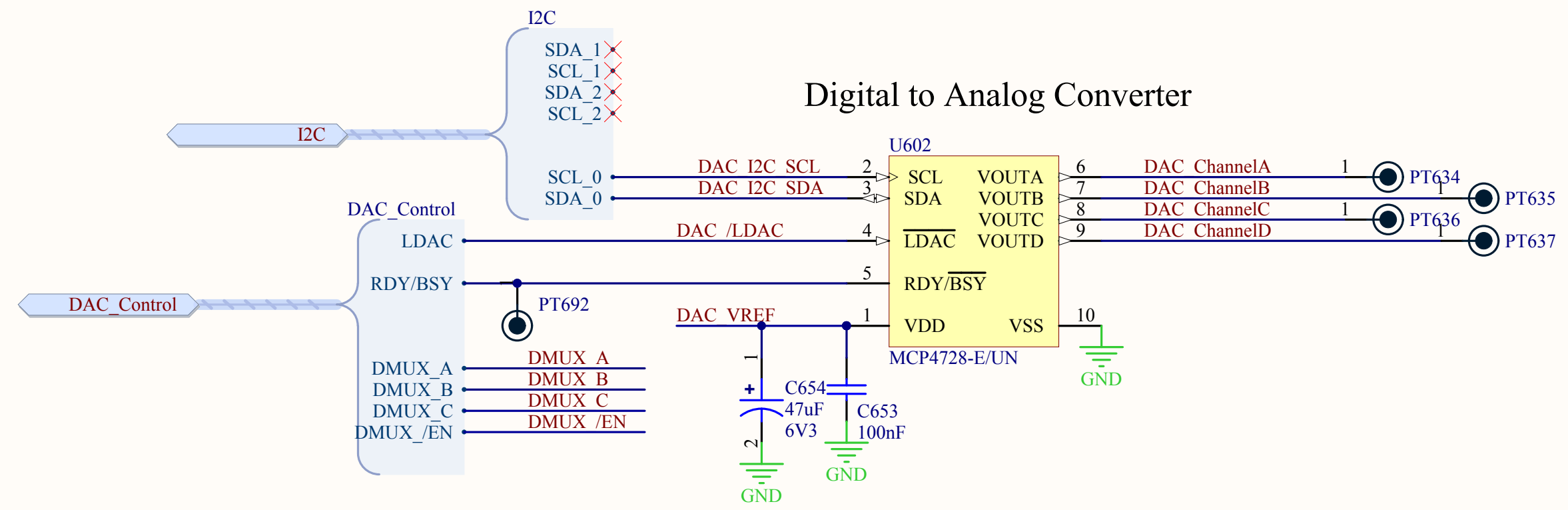
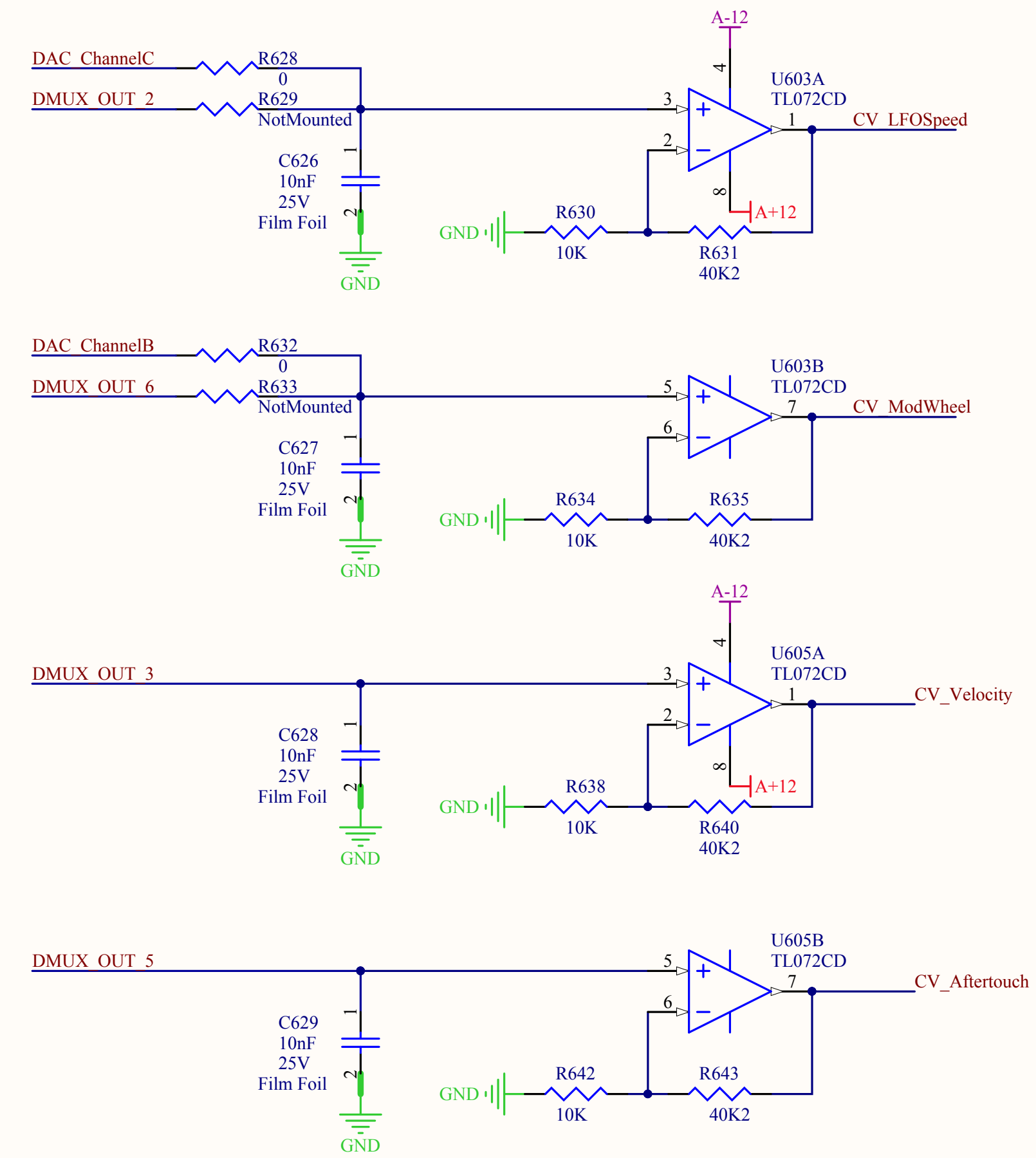


Digital to Analog Converter



Hold Gain Stages (x5)



Demultiplexer

