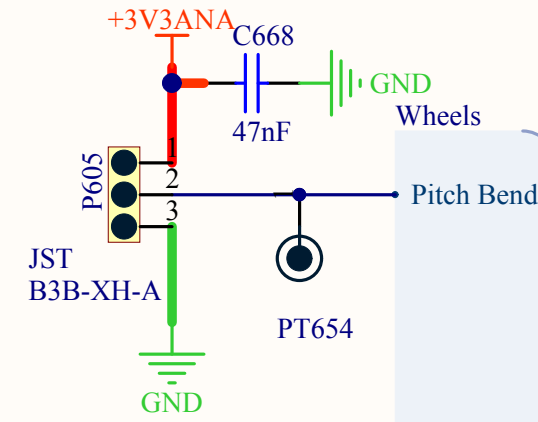
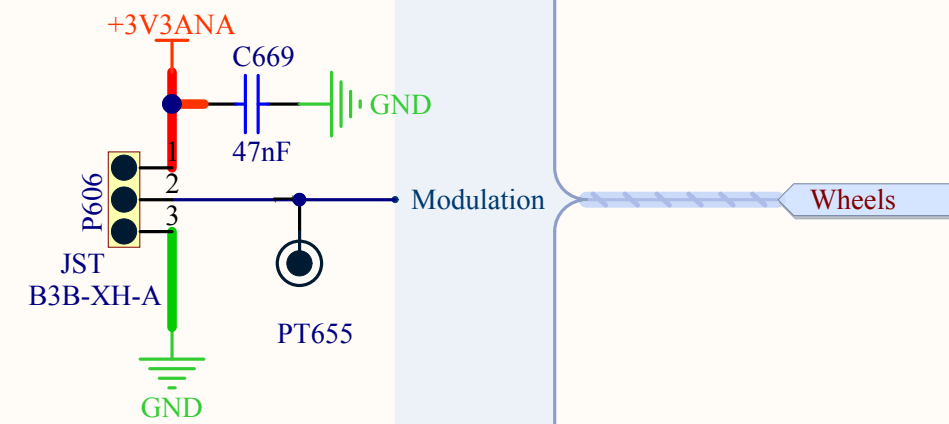


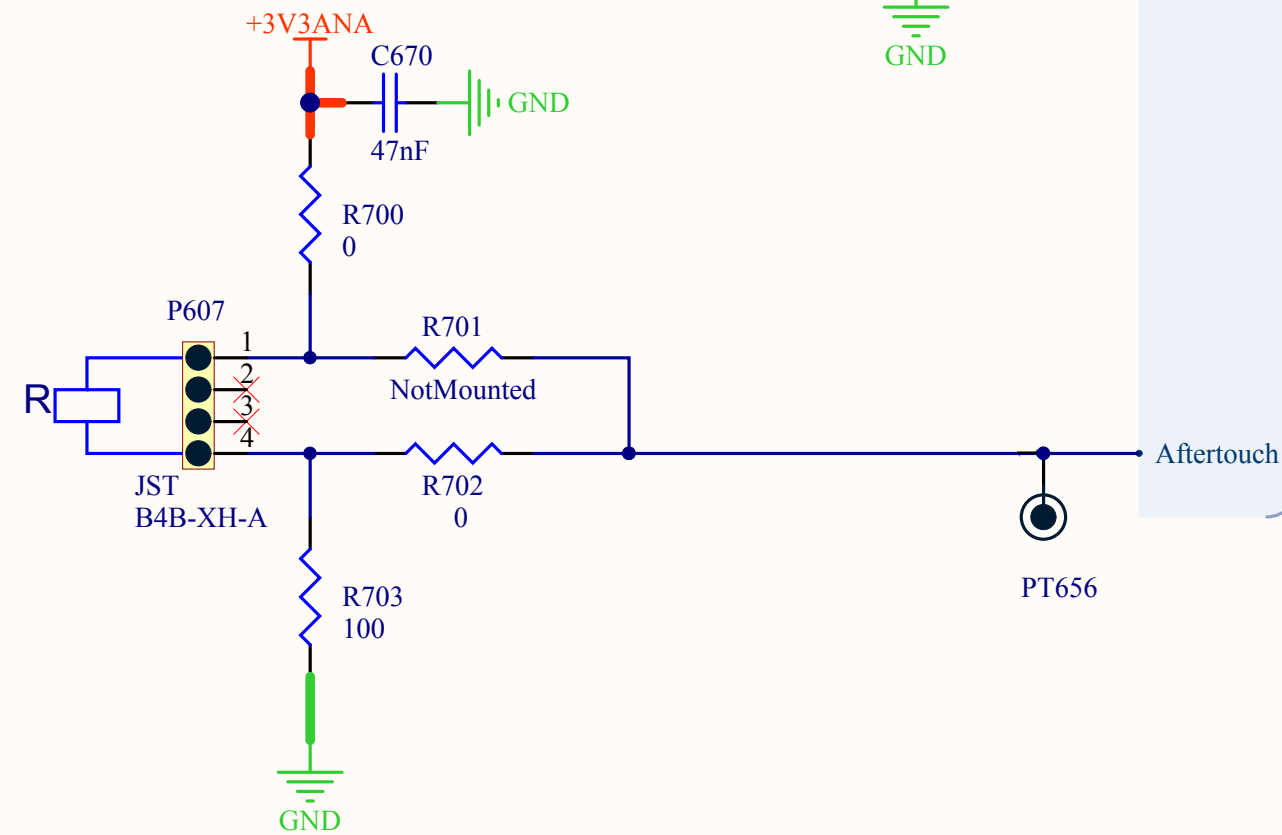
Pitch Bend Wheel: 100K Lin Potentiometer



Modulation Wheel: 100K Lin Potentiometer



Aftertouch FSR Ribbon



Design :

ARTURIA & Yves USSON

Details of this schematic are subject to change without notice. Any modification to any MiniBrute will immediately void its warranty. Arturia or any of its affiliates will not accept responsibility for any damages, personal loss or injury that may result from any modification to the device.

PAGE 13/14

Wheels.SchDoc

Project : miniBrute

Revision : C

Schematics

13001 - AnalogBoard

Public Release