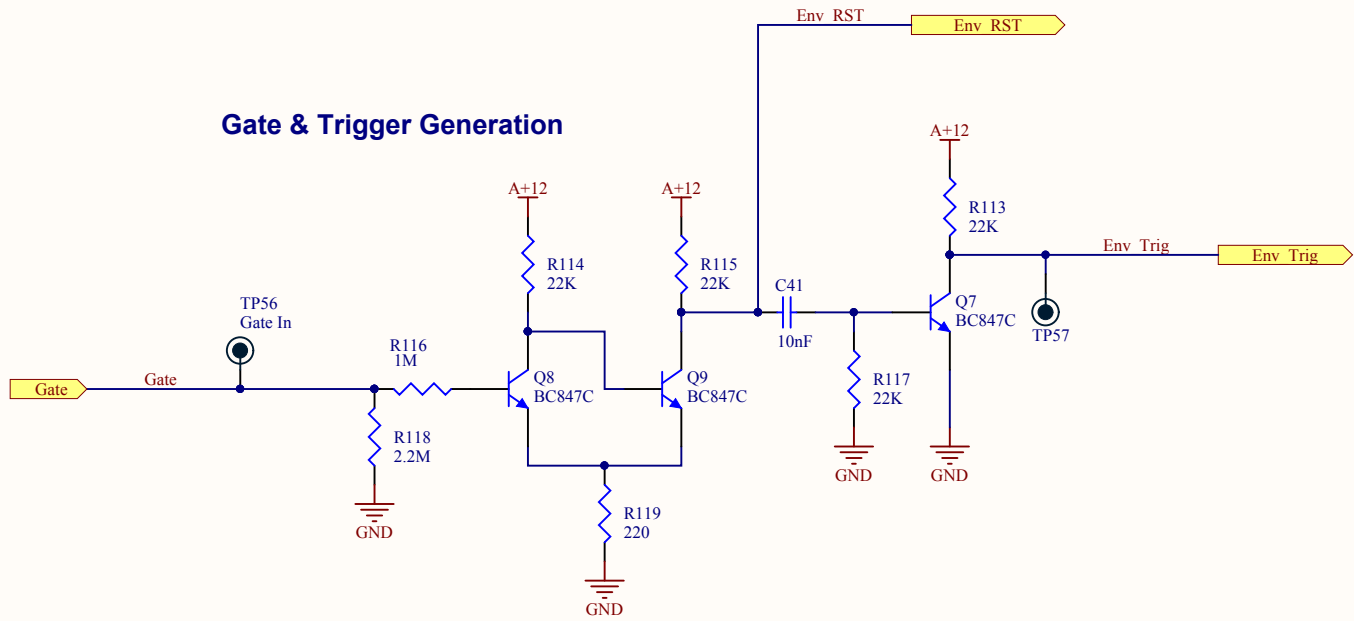


### Gate & Trigger Generation



Details of this schematic are subject to change without notice.  
 Any modification to any MiniBrute will immediately void its warranty.  
 Arturia or any of its affiliates will not accept responsibility for any damages, personal loss or injury that may result from any modification

Title <b>GateToTrig.SchDoc</b>		
Size: <b>A4</b>	Number: <b>11</b>	Revision: <b>B</b>
Date: <b>03/09/2015</b>	Time: <b>16:37:16</b>	Sheet <b>11</b> of <b>13</b>
File: <b>G:\MicroBrute_publicRelease\Modules\Analog\GateToTrig.SchDoc</b>		

*Arturia*  
 30, chemin du vieux chene  
 38240 Meylan  
 FRANCE

**ARTURIA**