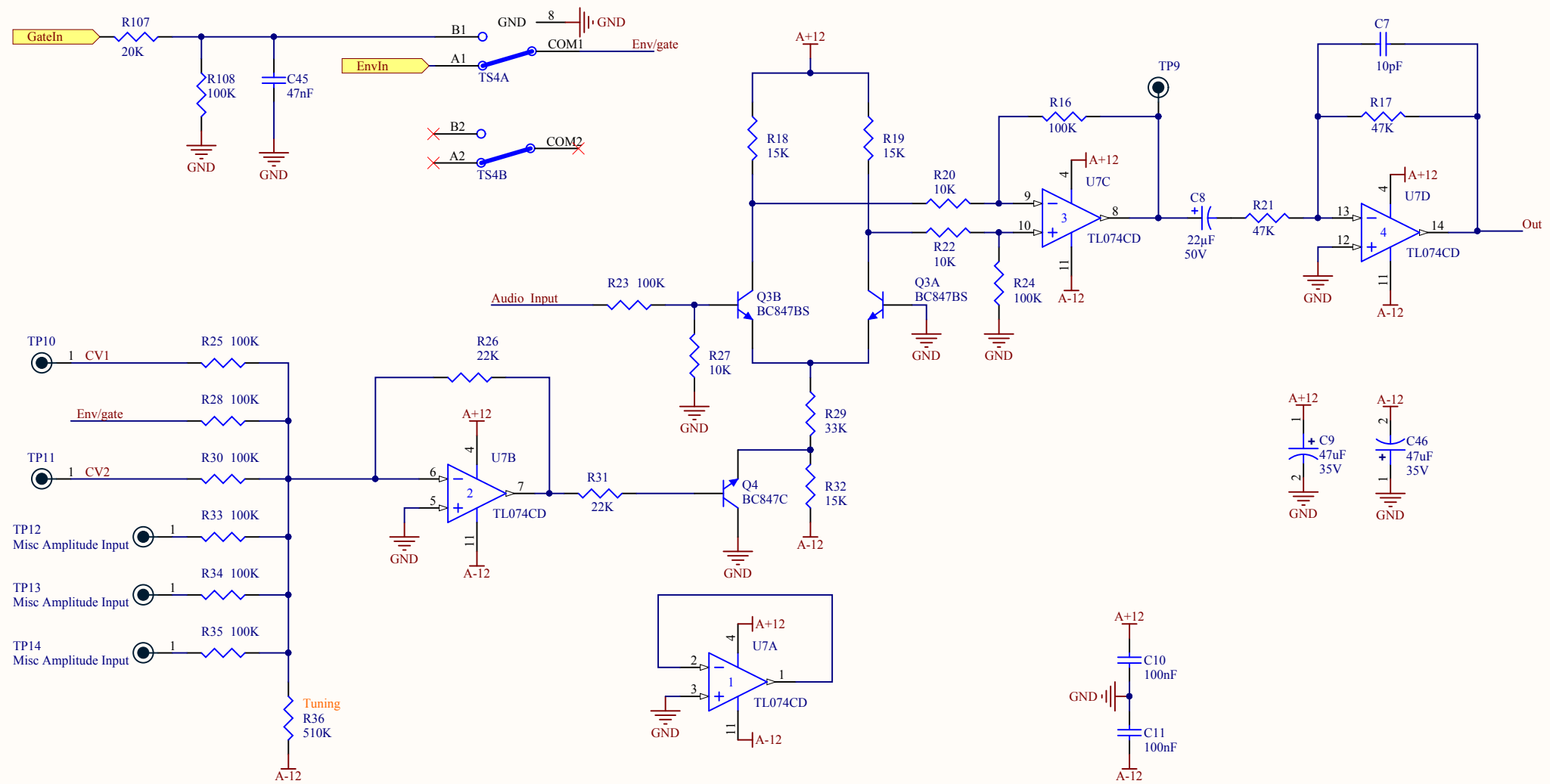


Inputs	Controls	Outputs
AudioIn → Audio_Input		Audio Out → Out
Mod CV1 → CV1		
Mod CV2 → CV2		



Details of this schematic are subject to change without notice. Any modification to any MiniBrute will immediately void its warranty. Arturia or any of its affiliates will not accept responsibility for any damages, personal loss or injury that may result from any modification.

Title VCA.SchDoc		
Size: A3	Number: 13	Revision: B
Date: 03/09/2015	Time: 16:37:16	Sheet 13 of 13
File: G:\MicroBrute publicRelease\Modules\Analog\VCA.SchDoc		

Arturia
30, chemin du vieux chene
38240 Meylan
FRANCE

ARTURIA