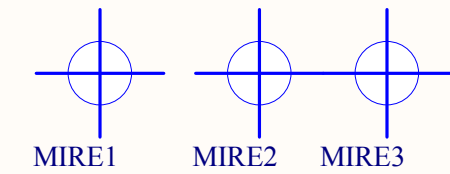
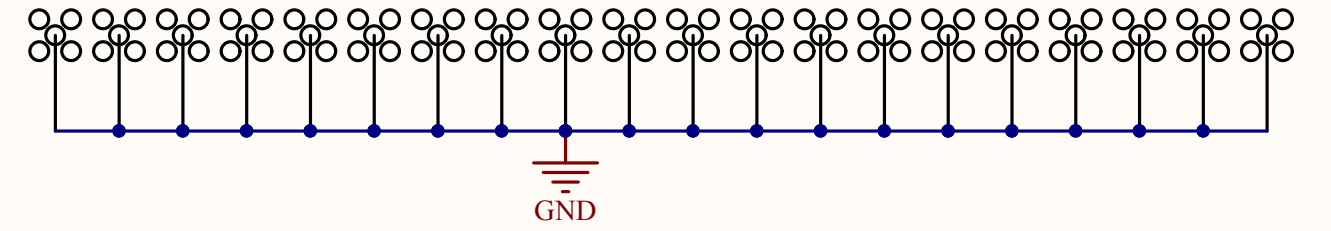
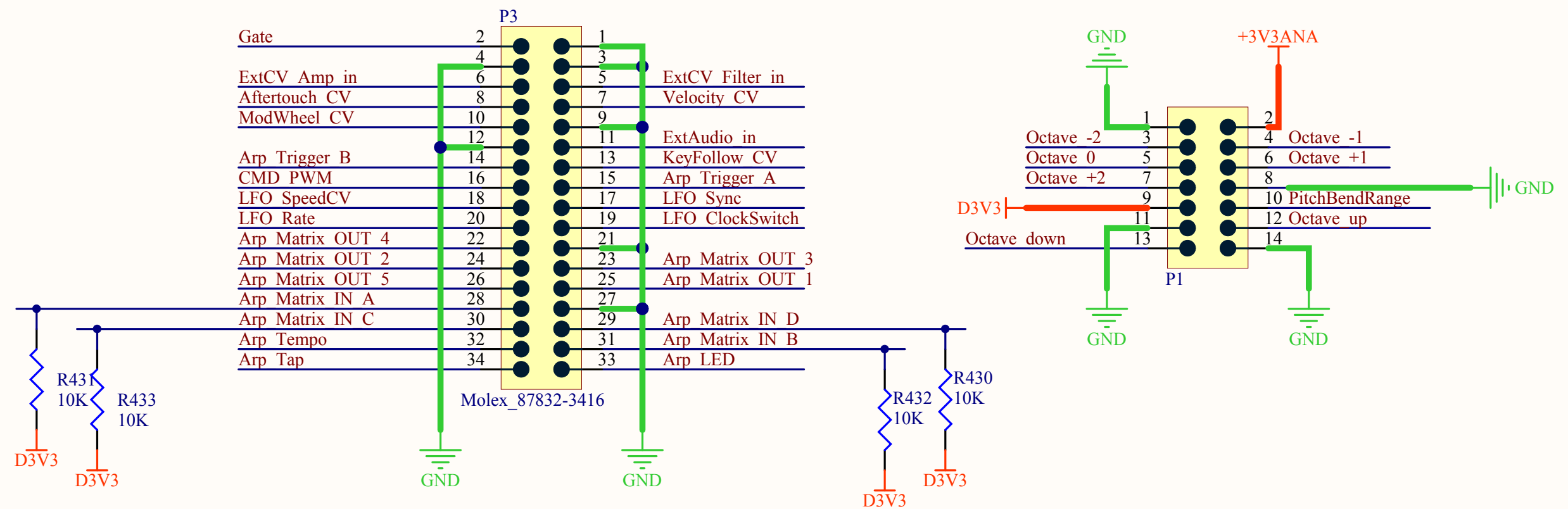


H1 H2 H3 H4 H5 H6 H7 H8 H9 H10 H11 H12 H13 H14 H15 H16 H17 H18 H19 H20



Main Connector



Design :	ARTURIA & Yves USSON		Details of this schematic are subject to change without notice. Any modification to any MiniBrute will immediately void its warranty. Arturia or any of its affiliates will not accept responsibility for any damages, personal loss or injury that may result from any modification to the device.	PAGE 14/ 15
	Connectors.SchDoc			
Schematics		13001 - AnalogBoard	Public Release	